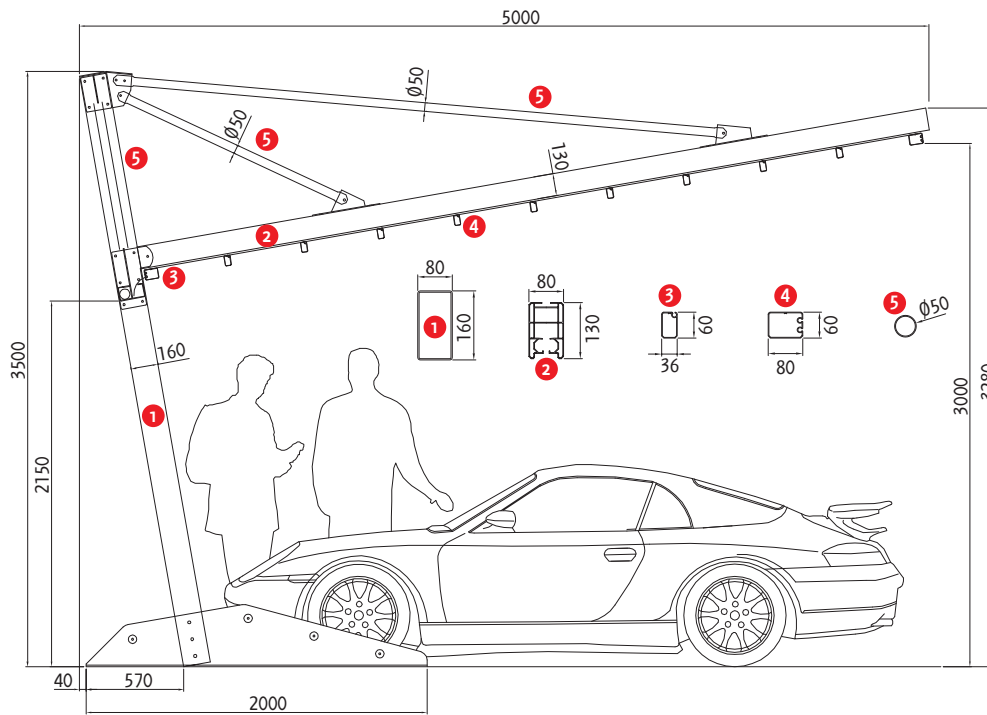


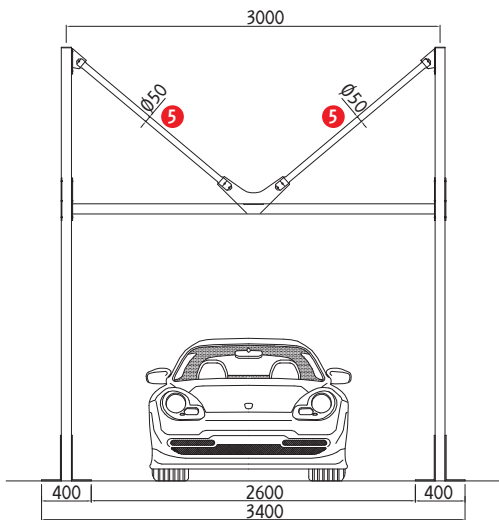


Dati tecnici . Technical data

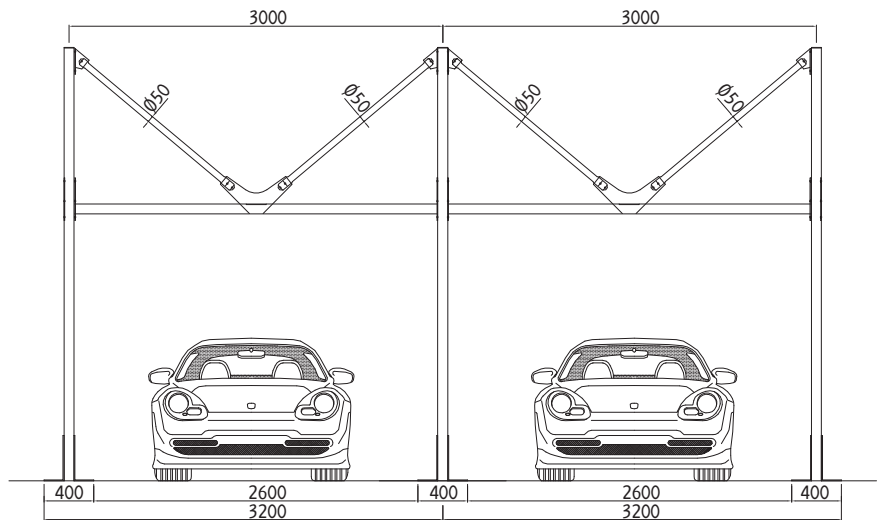
Quote espresse in mm - Dimensions in mm



Modulo singolo . Single form



Modulo doppio/modulare . Double form/modular



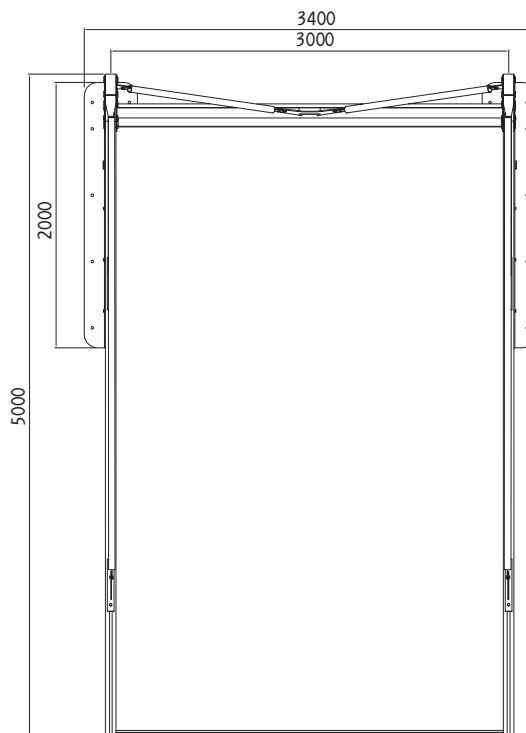
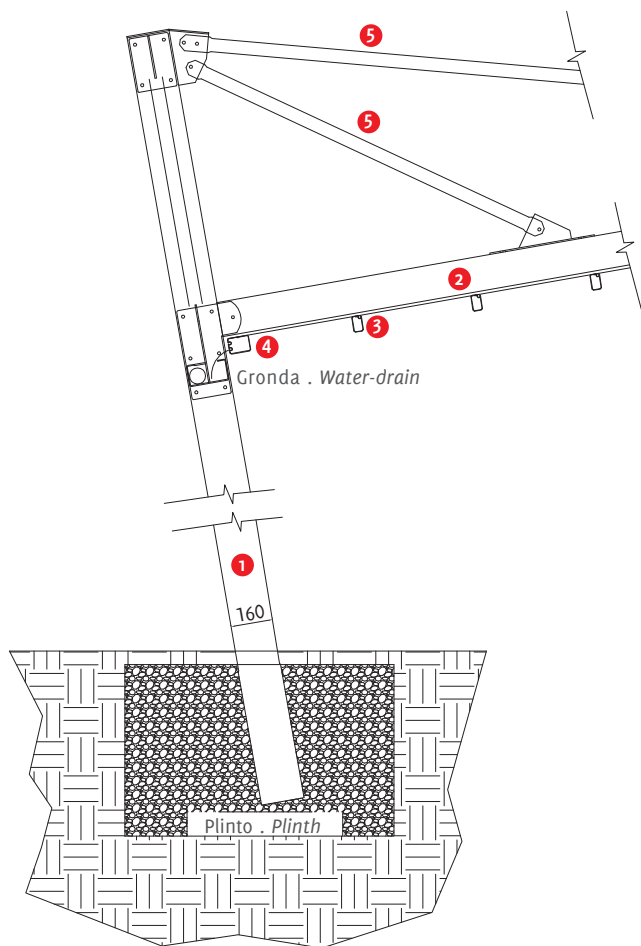
R160 PERGOPARK

Dettagli tecnici . Technical details

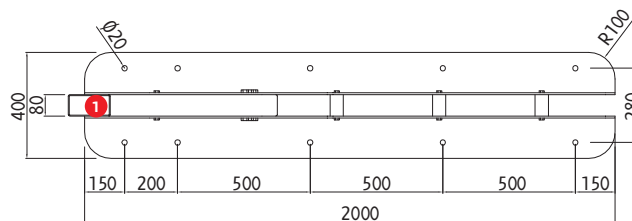
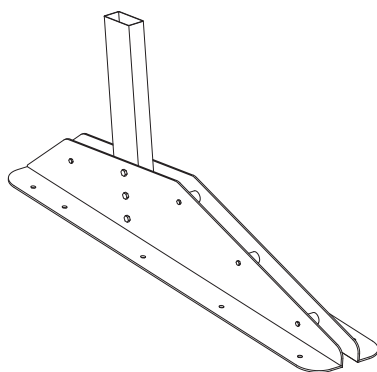
Quote espresse in mm - Dimensions in mm

Dettaglio scarico acqua . Drain detail

Vista dall'alto . Top view



STANDARD: piantane prolungate per plinti interrati (100x100x100 cm) . Longer poles for underground plinths (100x100x100 cm)



Piedi a terra Optional . Foot Optional

Legenda tecnica . Technical legend

- 1 Piantana . Pole
- 2 Guida . Rail
- 3 Frangitratta intermedio . Middle flowing profile
- 4 Frangitratta terminale . Last flowing profile
- 5 Tirante . Tie-rod